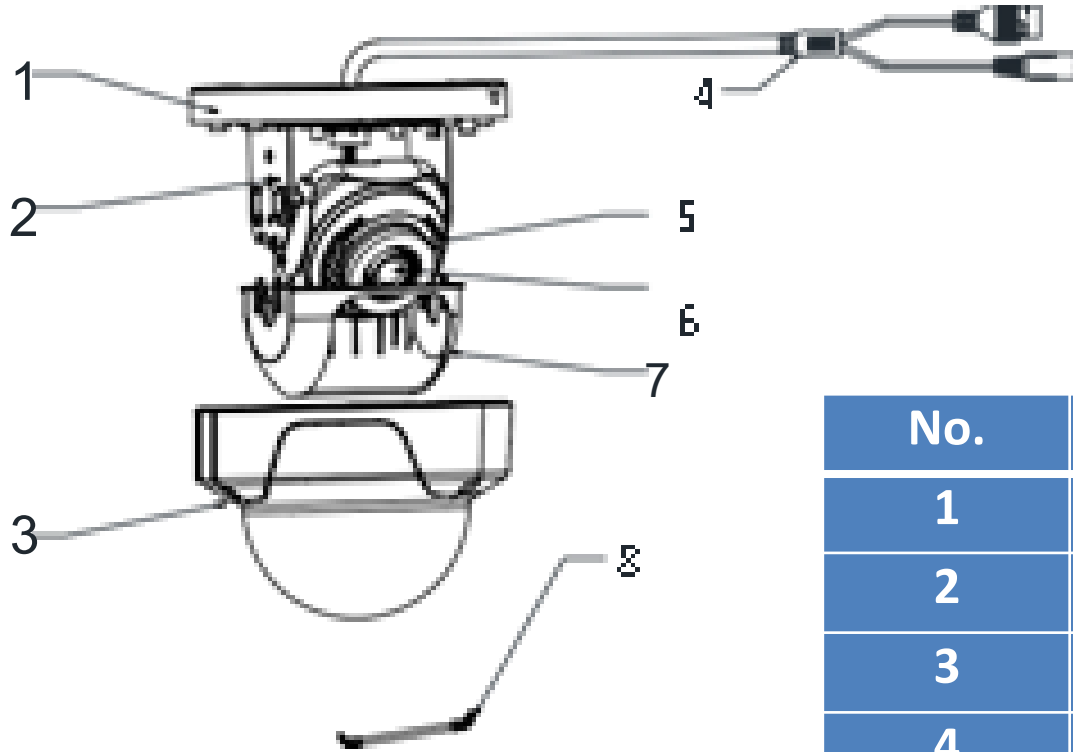


MX-CD2F



No.	Description
1	Mounting Base
2	Pan Adjusting Mount
3	Bubble
4	Network & Power Interface
5	IR LED
6	Lens
7	Black Liner
8	Safety Rope