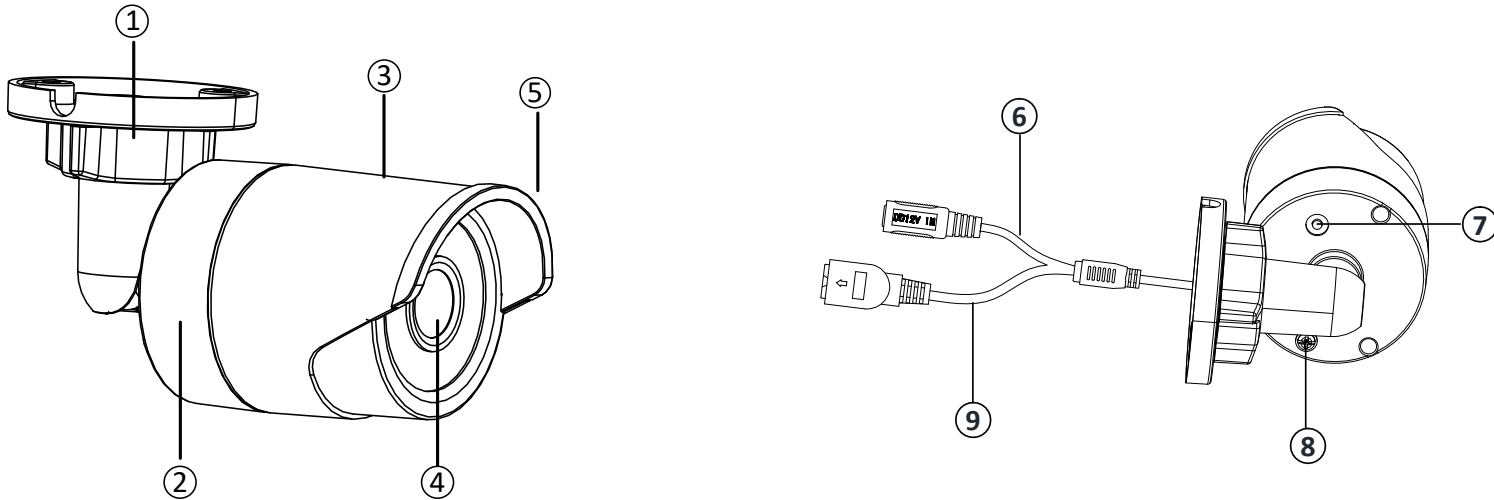
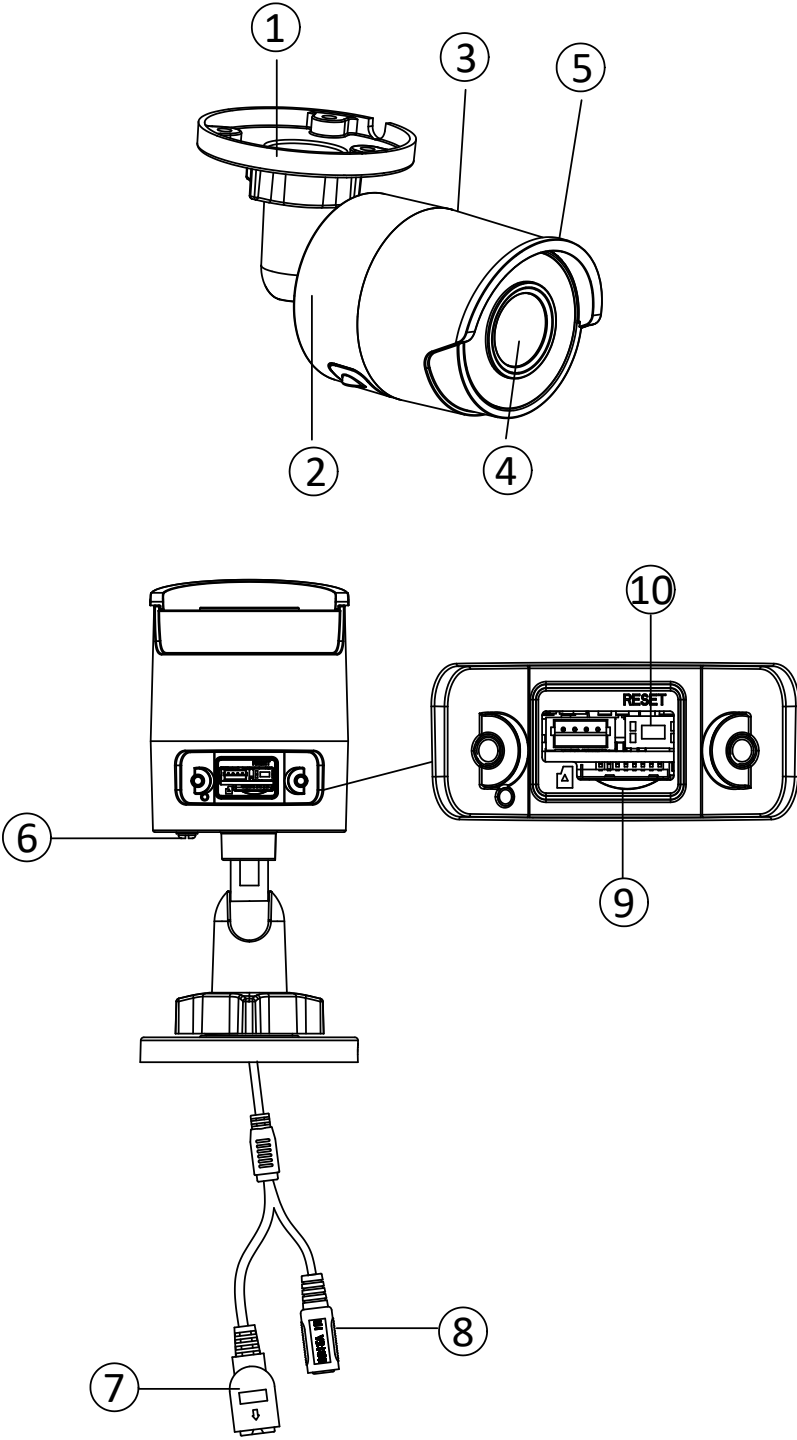


MX-DB2F/MX-DB4F



No.	Description	No.	Description
1	Mounting Base	4	Lens
2	Back Case	5	Sun Shield
3	Front Case	6	Power Cable
7	Reset Button	8	GND Screw
9	10/100M Self-adaptive Ethernet Interface		

MX-DB2F/MX-DB4F



No.	Description	No.	Description
1	Mounting Base	6	Grounding Screw
2	Back Case	7	10/100M Self-adaptive Ethernet Interface (PoE)
3	Front Case	8	Power Supply (DC 12V)
4	Lens	9	Memory Card Slot
5	Sun Shield	10	Reset Button